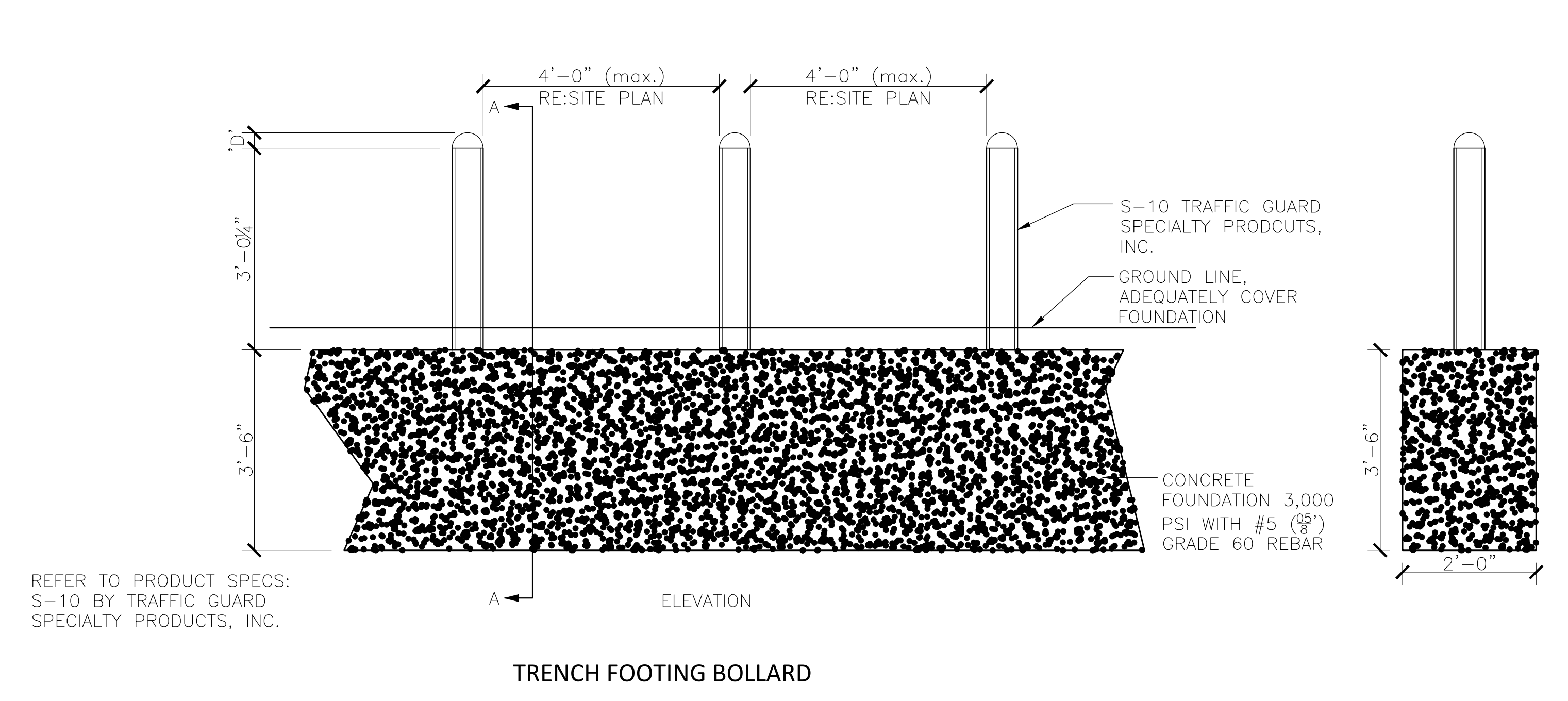
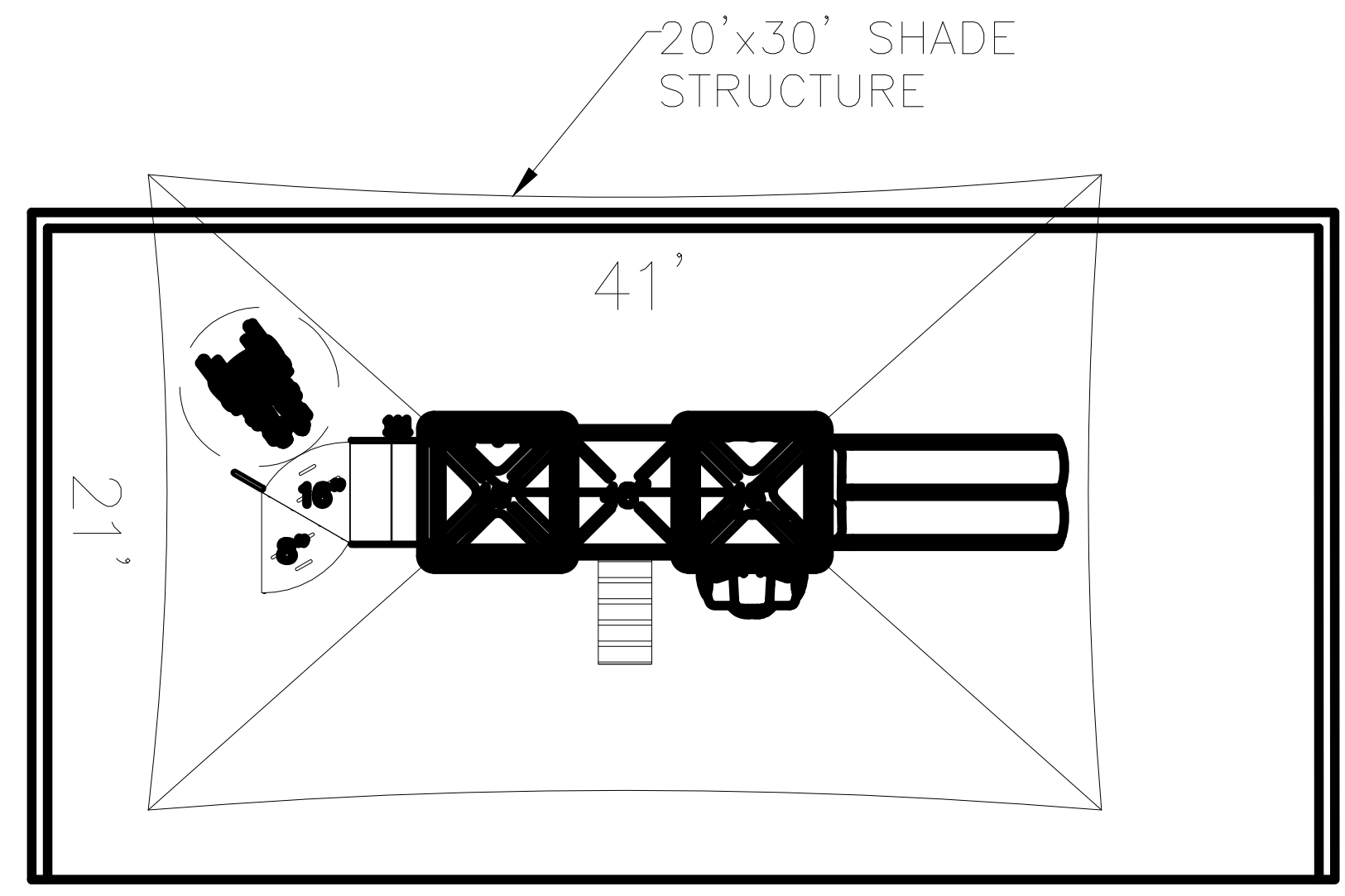


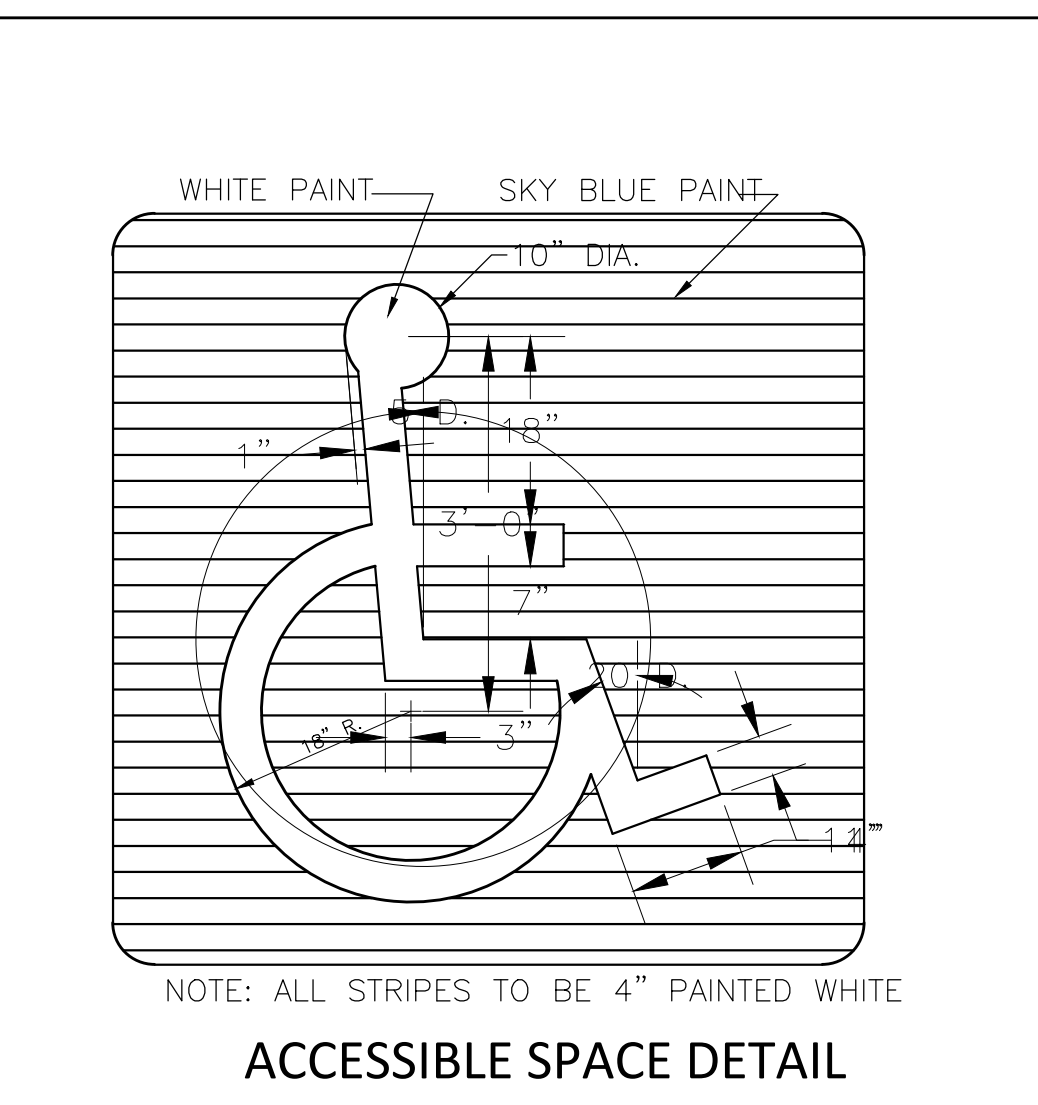
INFANT/TODDLER PLAYGROUND DETAIL



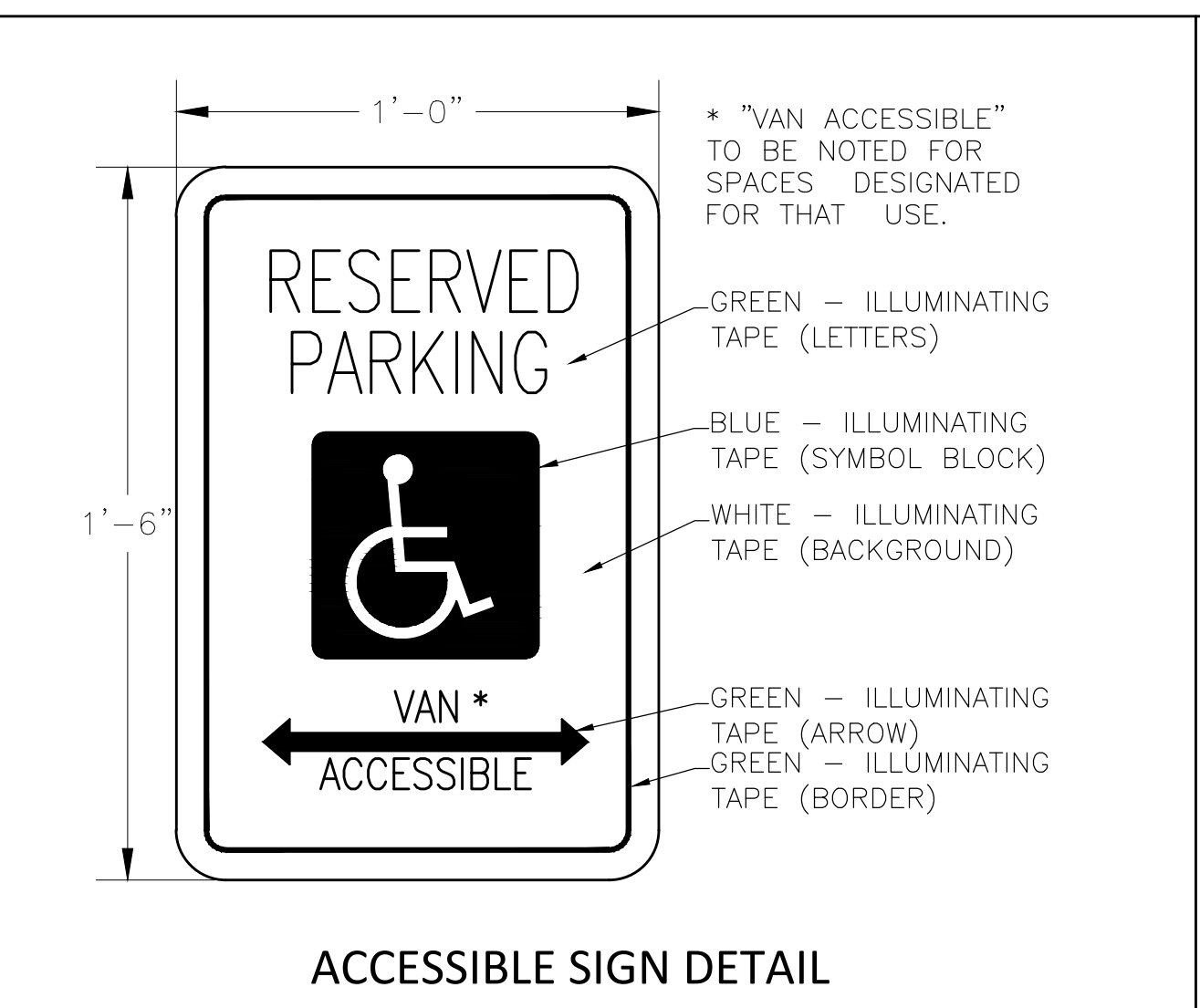
TRENCH FOOTING BOLLARD



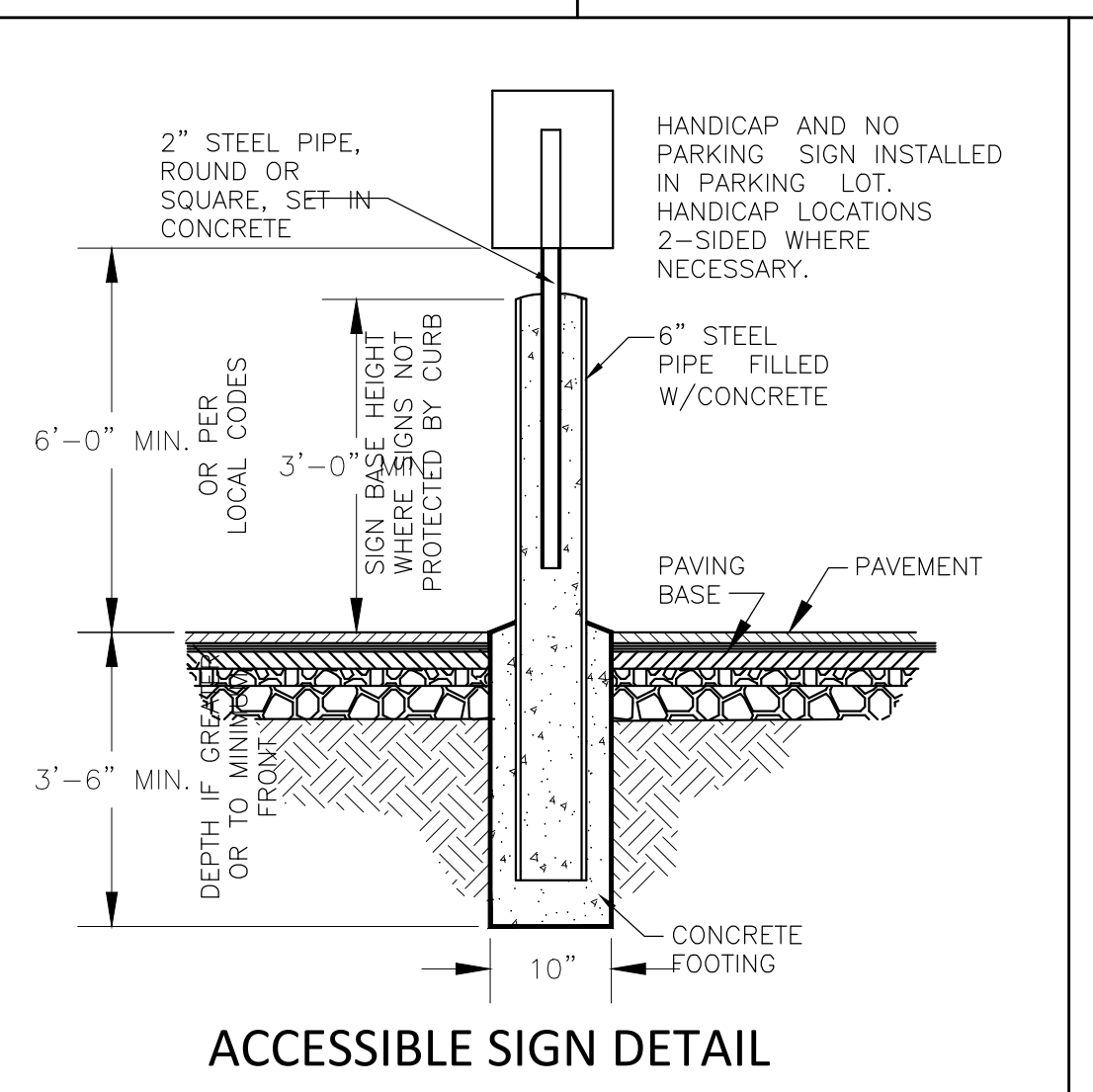
NARROW PRESCHOOL PLAYGROUND DETAIL



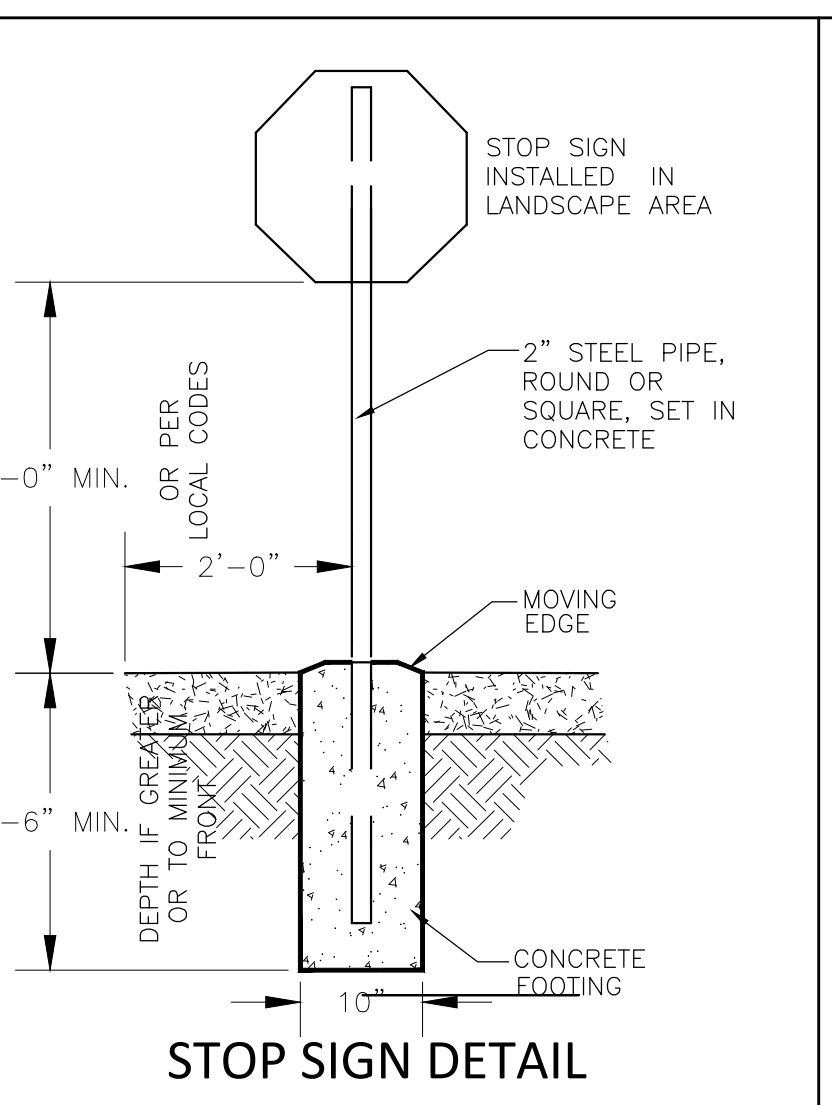
ACCESSIBLE SPACE DETAIL



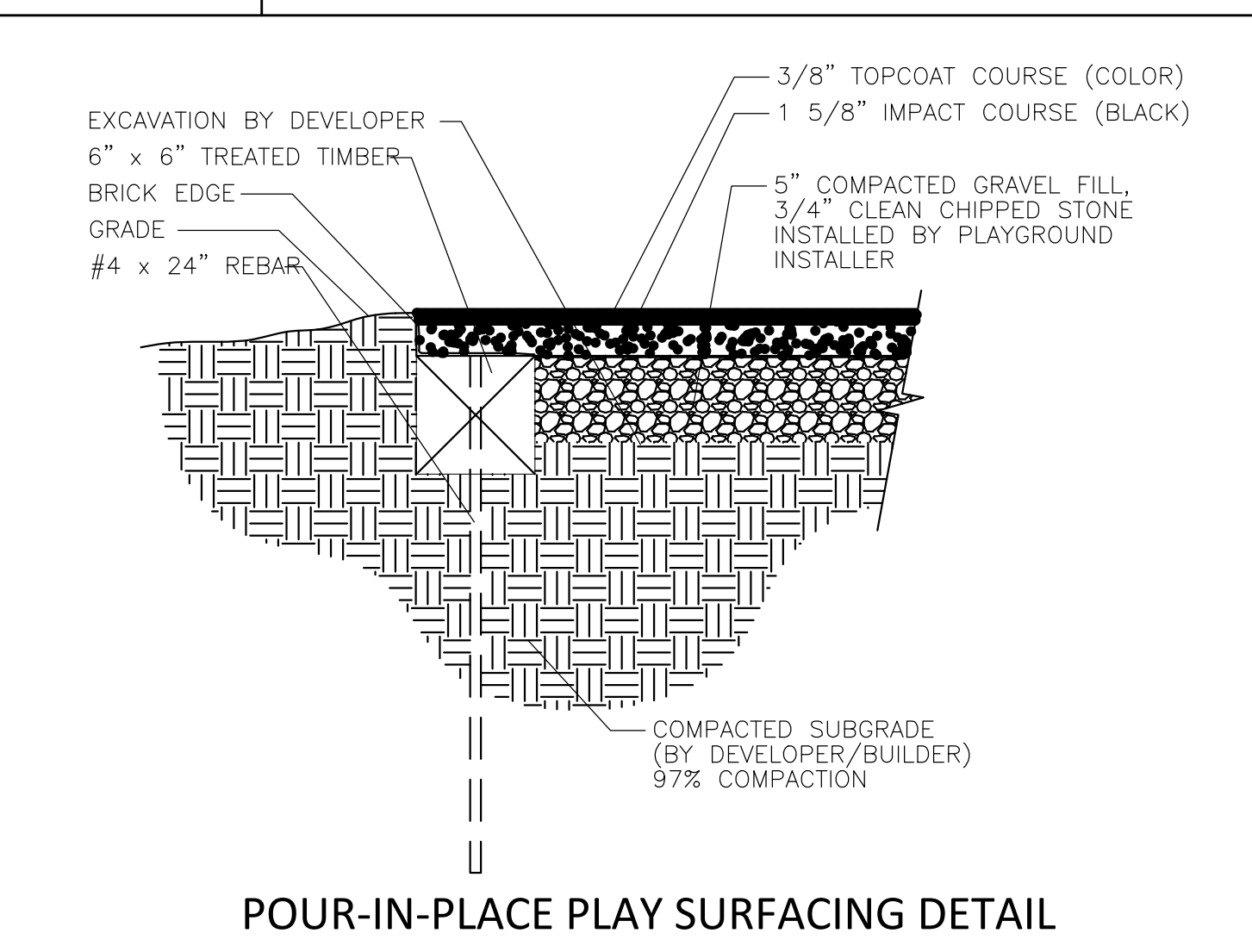
ACCESSIBLE SIGN DETAIL



ACCESSIBLE SIGN DETAIL



STOP SIGN DETAIL



POUR-IN-PLACE PLAY SURFACING DETAIL

DEVELOPER/GENERAL CONTRACTOR PLAYGROUND RESPONSIBILITIES

1. PLAYGROUND STRUCTURE AND SHADE STRUCTURE APPROVALS OR PERMITS IF REQUIRED. APPROVALS AND PERMITTING MAY BE REQUIRED FOR COLOR SCHEME, HEIGHT, MANUFACTURER DESIGN METHODS, ETC.
2. UTILITIES CANNOT BE LOCATED UNDER OR OVER PLAYGROUND BOXES.
3. ELECTRIC AND WATER ARE NEEDED ON SITE. FOR THE PLAYGROUND INSTALLERS USE. IF NOT, OTHER PRIOR ARRANGEMENTS SHALL BE MADE.
4. SOILS WITHIN THE PLAYGROUND BOX DIMENSIONS SHOULD BE SUITABLE FOR SLAB AT GRADE INSTALLATIONS. SOILS SHOULD NOT CONTAIN DEBRIS AND COMPACTED TO 97% IN ACCEPTED INCREMENTS CONTAINING SUITABLE SOIL.
5. PROVIDE GODDARD SYSTEM INC'S PROJECT MANAGER WITH A TIMELINE FOR PLAYGROUND INSTALLATION. ROUGH GRADE IS REQUIRED AND SIDEWALKS SHALL BE INSTALLED PRIOR TO PLAYGROUND INSTALLATION, 500, FENCE AND PARKING LOT TOP COAT.
6. LOCATE PLAYGROUND BOXES PER SITE PLAN, EXCAVATED 7\"/>

FINAL AS-BUILT RECORD PLANS

TO THE BEST OF OUR KNOWLEDGE, KSA, HEREBY STATES THAT THIS PLAN IS AS-BUILT. THIS INFORMATION PROVIDED IS BASED ON SURVEYING AT THE SITE AND INFORMATION PROVIDED BY THE CONTRACTOR.

NO.	REVISION	DATE
5		
4		
3		
2		
1		

COURTIN DENTAL OFFICE
ROCKWALL, TEXAS 75032

GODDARD SCHOOL
NOTES AND DETAILS

DRAWN BY:	TG
DESIGNED BY:	DK
LATEST REVISION:	07/20/2021
KSA JOB NO.:	18-1620-01



SEAL: TBPE Firm Registration No. F-1356
SHEET NO. C9.0

DRAWING PATHNAME: LAYOUT1.PLOT DATE: TIME SHEET NAME: PROJECT NAME: